



Very Well Connected™

INSTALLATION INSTRUCTIONS

<u>Product</u>	<u>Revision</u>	<u>Form</u>
7160-0272, 7160-0273 Universal Display Mount	Rev. B	INST-492 Printing Spec: PS-001

The Universal Display Mount attaches directly to a Center Upper Pole or other mounting equipment containing a Gamber-Johnson swivel pattern cutout. It can also mount to an In-Dash bracket (optional). It will provide swivel, tilt and height adjustment to a variety of display solutions. Optional keyboard trays provides lockable stowage for keyboards.

With optional adapter plates the Universal Display Mount accepts:

- 75mm Vesa
- 100mm Vesa
- Gamber Johnson 4.09"X2.00" Accessories
- Motorola MW800/MW810
- Panasonic PDRC
- Panasonic CF-19 on Gamber-Johnson dock

Installation:

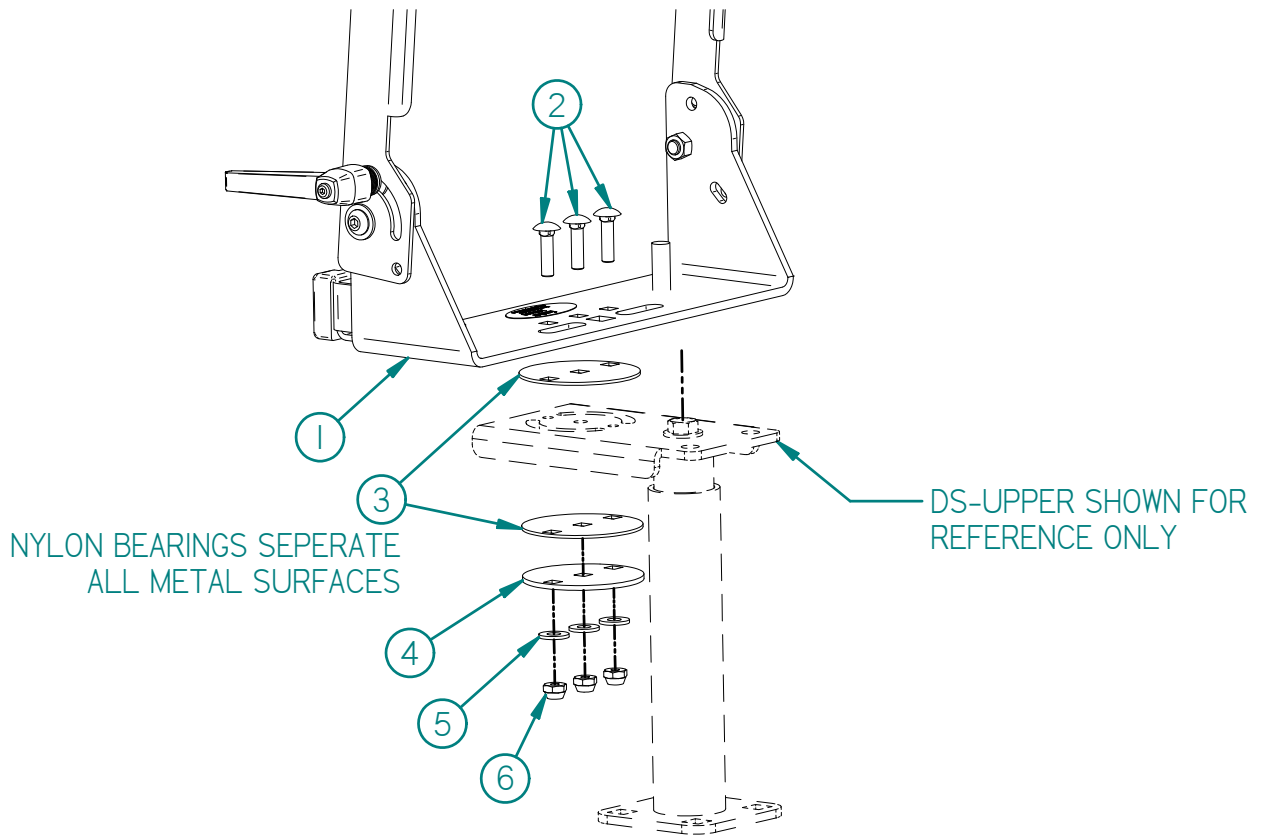
1. For installation on an In-Dash bracket, please refer to the installation instructions provided with the In-Dash kit.
2. To mount, place one Nylon Bearing (Item 3) on the mounting surface (DS-Upper, Center Upper, MCS, etc.).
3. Set the Universal Display Mount (Item 1) on top of Nylon Bearing (Item 3) and insert three (3) .25-20 X 1.00 Carriage Bolts (Item 2) thru square holes in the mount, the Nylon Bearing and the mounting surface.
4. On the underside of the mounting surface, install the other Nylon Bearing (Item 3), then the Backup Plate (Item 4).
(Note: For proper swivel motion ensure parts are installed in the correct order, preventing metal to metal contact.)
5. Install the three .25 Flat Washers (Item 5) and .25-20 Lock Nuts (Item 6).
6. Tighten the Lock Nuts (Item 6) as required to adjust the amount of resistance in the swivel motion.

Product Mounting Disclaimer

Gamber-Johnson is not liable under any theory of contract or tort law for any loss, damage, personal injury, special, incidental or consequential damages for personal injury or other damage of any nature arising directly or indirectly as a result of the improper installation or use of its products in vehicle or any other application. In order to safely install and use Gamber-Johnson products full consideration of vehicle occupants, vehicle systems (i.e., the location of fuel lines, brakes lines, electrical, drive train or other systems), air-bags and other safety equipment is required. Gamber-Johnson specifically disclaims any responsibility for the improper use or installation of its products not consistent with the original vehicle manufactures specifications and recommendations, Gamber-Johnson product instruction sheets, or workmanship standards as endorsed through the Gamber-Johnson Certified Installer Program.

© copyright 2010 Gamber-Johnson, LLC

If you need assistance or have questions, call Gamber-Johnson at 1-800-456-6868



Use:

1. The Universal Display Mount is designed to work with a variety of displays. Mount the display adapter according to the installation instructions provided with the display adapter kit.

2. The angle of the display can be adjusted by simply pulling or pushing on the display. To adjust the amount of tension on the pivot, loosen or tighten the adjustment handle.

3. In severe environments, it may be necessary to lock the display angle. This can be done by inserting a 1/4" bolt or pin into the provided holes. This will lock the display at 5 degrees.

4. Optional hardware bag 7120-0569 can be used to raise keyboard if desired.

